

# Chillers 1100–2400 W

## Rack 1100 / Rack 1700

## Rack 2400



- stand-alone chiller
- fluid cooling with water and water/glycol mixtures
- anodised aluminium housing cover
- basic housing made of powder-coated sheet steel
- robust laboratory and industry standard in 3 performance classes
- integration of project-specific additional components is possible on request

Further options for the Rack series chillers can be found on page 114.

Data		Rack 1100	Rack 1700	Rack 2400	Unit
Article number		42010110003	42010170008	42010240001	
Rated voltage ± 10 %		AC 50 Hz / 60 Hz			
		230 1~			V
Cooling capacity (with pump) <sup>1</sup>	W18/L32	1.1 / 1.35	1.7 / 2.05	2.4 / 2.7	kW
	W10/L32	0.82 / 1.01	1.28 / 1.61	1.92 / 2.14	
Flow rate (pump) <sup>2</sup>		12		14	l/min
Pressure (head) (pump)		2.0		2.5	bar
Ambient temperature range		+ 15 ... + 45 / + 59 ... + 113		+ 15 ... + 40 / + 59 ... + 104	
Control range (refrigerant outlet temperature)		+ 10 ... + 35 / + 50 ... + 95			°C / °F
		factory setting + 18 / + 64			
Target value tolerance		± 2.0			K
Refrigerant type		R134a		R404a	
Power consumption	W18/L32	0.83 / 1.0	1.0 / 1.2	1.8 / 2.12	kW
Current consumption	W18/L32	6.94 / 7.38	7.01 / 7.42	11.22 / 11.72	A
Starting current	W18/L32	14.67 / 16.3	23.58 / 26.2	33.57 / 37.3	A
Control voltage		230			V
Volumetric airflow	external	806	1182	1000	m <sup>3</sup> /h
Tank volume		5		10	l
Connections (medium)		IG		3/8"	BSPP
Noise level (according to EN ISO 3741)		< 66		68	dB (A)
Weight (without packaging)		42		61	kg
System of protection (electrical equipment)		IP 20			
Colour		RAL 9005 (different colours on request); cover: aluminium			
Accessories		Article number			
Overflow valve (internal)		48000009680			
Flow monitor		48000009682			
Casters		45000009678			
20% Propylenglycol pre-mix		20 l		45783000123	
20% Ethylenglycol pre-mix		20 l		45783000125	

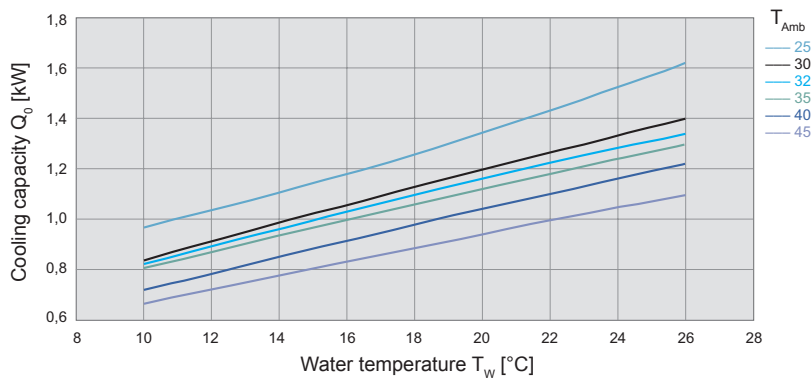
<sup>1</sup> cooling capacity incl. power loss in the pump, refrigerant outlet temperature + 18 °C, ambient temperature + 32 °C

<sup>2</sup> performance data based on 50 Hz operation

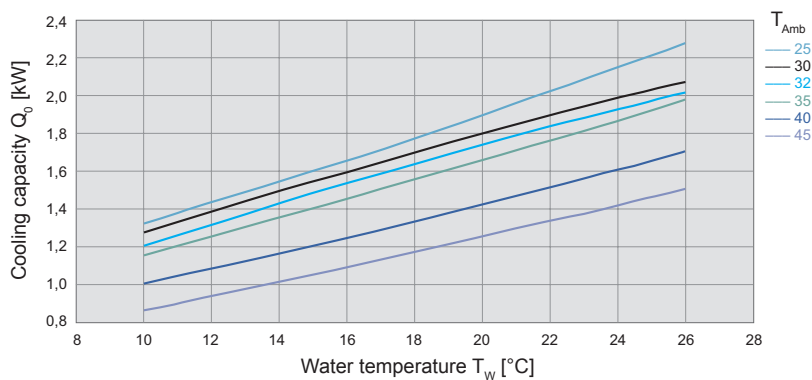
Approvals see page 91

## Cooling capacity performance curves

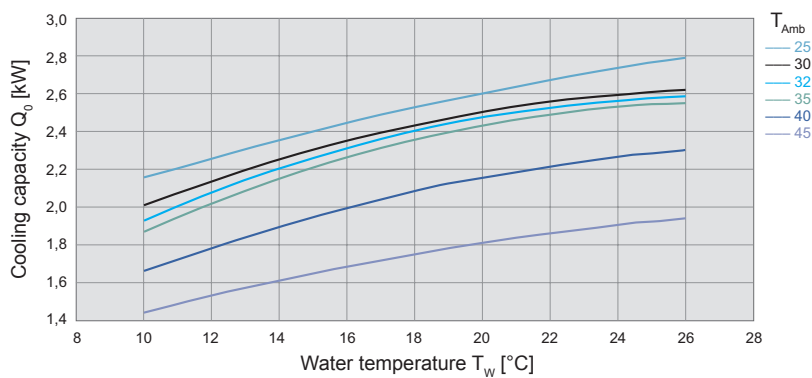
### Rack 1100 (50 Hz)<sup>1</sup>



### Rack 1700 (50 Hz)<sup>1</sup>

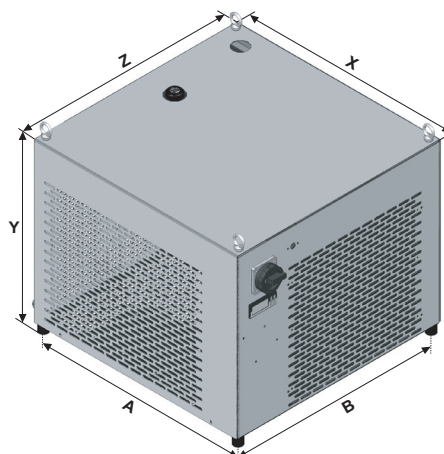


### Rack 2400 (50 Hz)<sup>1</sup>



## Dimensions

mm	Rack 1100/1700	Rack 2400
X	450	580
Y	395	500 <sup>2</sup>
Z	480	580
A	425	555
B	450	550



<sup>1</sup> the performance curves for the 60 Hz version can be obtained from your Pfannenberg advisor or at [www.pfannenberg.com](http://www.pfannenberg.com)

<sup>2</sup> without eye bolts