

# Filterfan® PF 2.500, PF 3.000



## PF 2.500

For medium range applications in plant and machine equipment.

## PF 3.000

The same size PF 2.500 but with a more powerful fan.

- with integrated foamed on seal (PF 2.500, PF 3.000)



System of protection



System of protection (see page 92)



click and fit!



Cutout-compatibility



Germanischer Lloyd (PF 3000)



Installation without tools



Colour

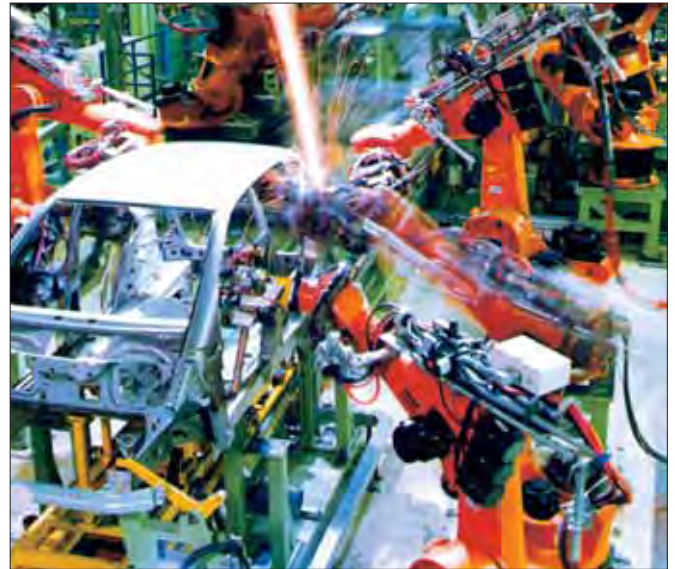
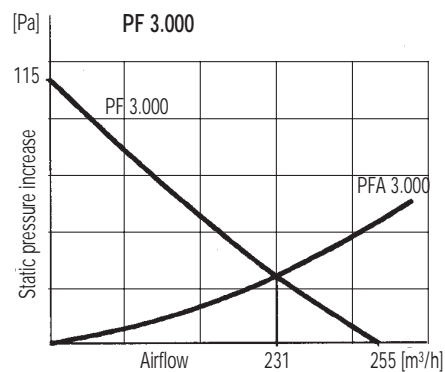
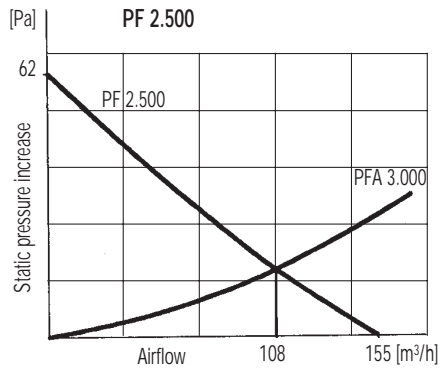
Airflow data:	PF 2.500	PF 3.000
Filter material*	150 g/m <sup>2</sup>	150 g/m <sup>2</sup>
Unimpeded airflow	155 m <sup>3</sup> /h; 50 Hz / 170 m <sup>3</sup> /h; 60 Hz	255 m <sup>3</sup> /h; 50 Hz / 292 m <sup>3</sup> /h; 60 Hz
Capacity free-flow	52 W/K / 57 W/K	85 W/K / 97 W/K
Airflow in combination (Filterfan® + Exhaust Filter)	108 m <sup>3</sup> /h; 50 Hz / 118 m <sup>3</sup> /h; 60 Hz (PF 2.500 + PFA 3.000)	231 m <sup>3</sup> /h; 50 Hz / 265 m <sup>3</sup> /h; 60 Hz (PF 3.000 + PFA 3.000)
Capacity in combination (Filterfan® + Exhaust Filter)	36 W/K / 39 W/K (PF 3.000 + PFA 3.000)	77 W/K / 88 W/K (PF 3.000 + PFA 3.000)
Max. static pressure (Airflow = 0 m <sup>3</sup> /h)	62 Pa	115 Pa
Filtration efficiency		73%
Filter material grade (DIN EN 779)		G 2
Noise level (DIN 45 635)	53 dB(A)	55 dB(A)
Duty cycle		100%

\* standard filter mat 150 g/m<sup>2</sup> (alternative filter mat in 350 g/m<sup>2</sup>, 500 g/m<sup>2</sup>)

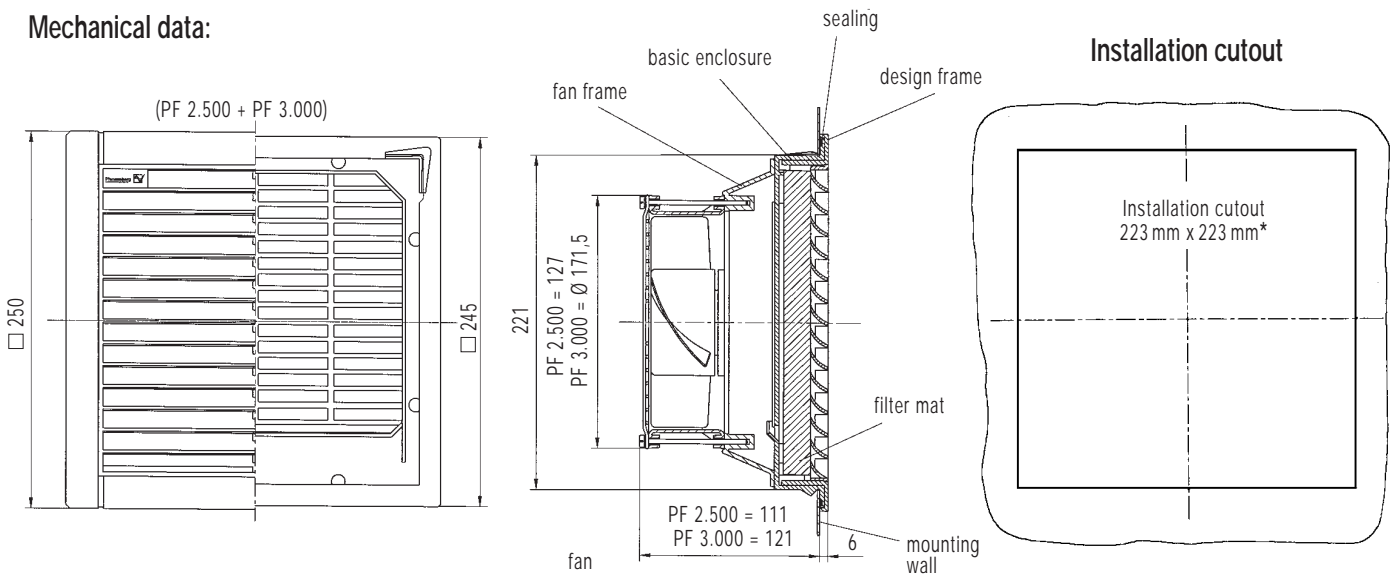
Technical data:	PF 2.500 AC/DC	AC	PF 3.000	DC
Outside dimensions in mm (Height x Width x Installation depth)	250 x 250 x 111		250 x 250 x 121	
Bearing type	ball bearings			
Fitting position	any, horizontal airflow preferred			
Construction	housing and guard of sprayed thermoplastic (ABS-FR) self-extinguishing, UL 94 VO			
Weight	1,75 kg		1,75 kg	1,50 kg
Safety protection	in accordance with DIN 31 001			
Colour	RAL 7035, RAL 7032 or black, other colours on request			
Connections	terminal strip			

Electrical data:	PF 2.500					
	AC 50 Hz/60Hz			DC		
Rated voltage	230V	115V	12V	24V	48V	
Range of operation	187V ... 253V	97V ... 127V	8V ... 14V	18V ... 30V	36V ... 56V	
Power consumption	18W / 17W	18W / 17W	5W	4,7W	4,6W	
	PF 3.000					
	AC 50 Hz/60Hz			DC		
Rated voltage	400V / 440V	230V	115V	12V	24V	48V
Range of operation	369V ... 484V	187V ... 253V	97V ... 127V	8V ... 15V	18V ... 30V	36V ... 56V
Power consumption	41W / 38W	45W / 39W	40W	12W	18W	17W

**Airflow data:**



**Mechanical data:**



Supplementary data:	AC	DC
<b>Climatic data</b>		
Operating temperature	-10 °C (+ 14 °F) to +55 °C (+ 131 °F)	-20 °C (- 4 °F) to +55 °C (+ 131 °F)
Storage temperature	-20 °C (- 4 °F) to +70 °C (+ 158 °F)	
Max. relative humidity	90%	
System of protection	IP 54 (EN 60 529), when installed as specified, not for outdoor-application	
Basic parts kit	standard filter, mounting- and user manual	
Accessories	radiant heater, fan heater, thermostat, see Thermal Management	
Approvals	PF 3.000 Germanischer Lloyd (GL), UL approval see overview filter fans	
* Tolerance installation cutout	223 $\pm$ 1 thickness of material to 2 mm 224 $\pm$ 1 thickness of material > 2 mm ≤ 3 mm	