

Filterfan® PF 1.000



PF 1.000

For versatile incorporation into equipment. Examples are in the medical industry, in EDP equipment, warning and control enclosures and also for low power applications.



System of protection



Installation without tools



click and fit!



Germanischer Lloyd



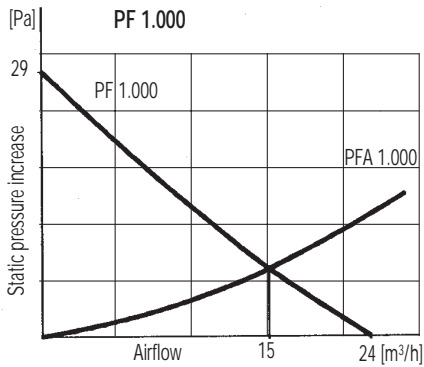
Colour

Airflow data:	PF 1.000
Filter material (standard grade)	150 g/m ²
Unimpeded airflow	24 m ³ /h; 50 Hz / 28 m ³ /h; 60 Hz
Capacity free-flow	8 W/K / 9 W/K
Airflow in combination (Filterfan® + Exhaust Filter)	15 m ³ /h; 50 Hz / 17 m ³ /h; 60 Hz (PF 1.000 + PFA 1.000)
Capacity in combination (Filterfan® + Exhaust Filter)	5 W/K / 6 W/K (PF 1.000 + PFA 1.000)
Max. static pressure (Airflow = 0 m ³ /h)	29 Pa
Filtration efficiency	73%
Filter material grade (DIN EN 779)	G 2
Noise level (DIN 45 635)	39 dB(A)
Duty cycle	100%

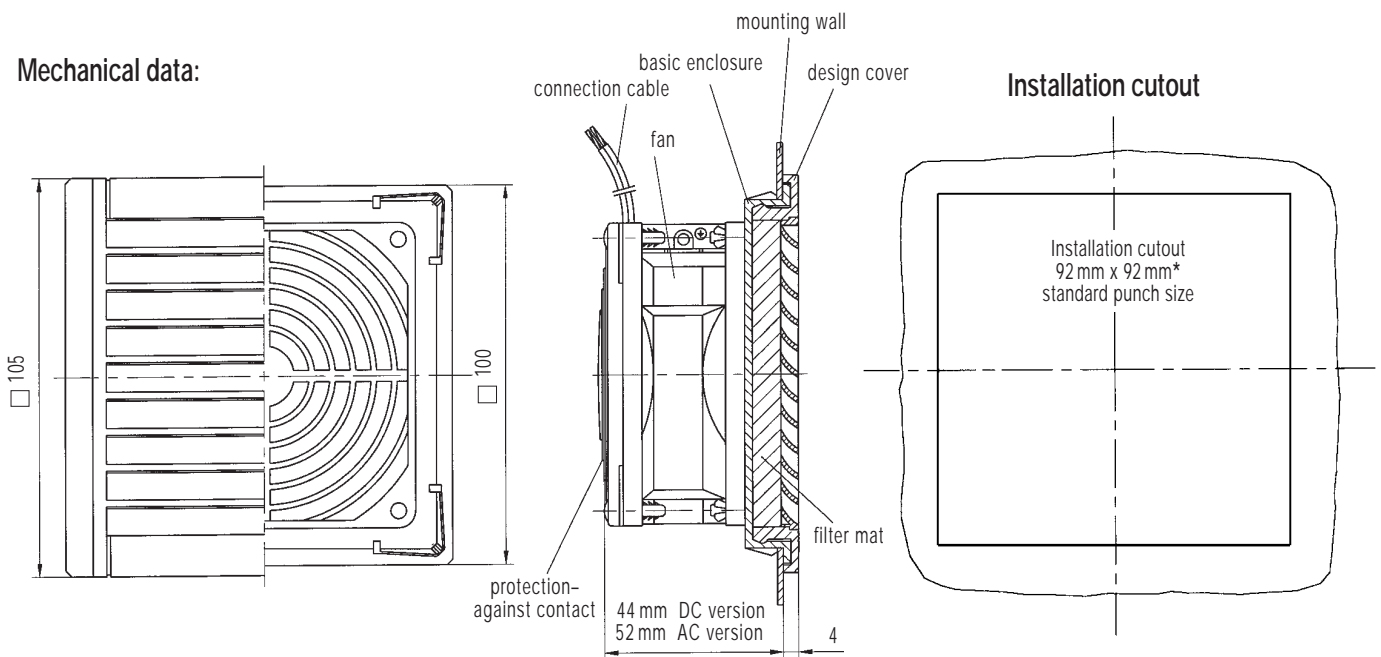
Technical data:	PF 1.000	
	AC	DC
Outside dimensions in mm (Height x Width x Installation depth)	105 x 105 x 52	105 x 105 x 44
Bearing type	sleeve bearings	ball bearings
Fitting position	horizontal - vertical	any
Construction	housing and guard of sprayed thermoplastic (PC-FR) self-extinguishing, UL 94 VO	
Weight	0,60 kg	0,45 kg
Safety protection	in accordance with DIN 31001	
Colour	RAL 7035, RAL 7032 or black, other colours on request	
Connections	2 wires, 310 mm long	

Electrical data:	PF 1.000				
	AC 50 Hz/60 Hz		DC		
Rated voltage	230V	115V	12V	24V	48V
Range of operation	187V ... 253V	97V ... 127V	7V ... 15V	14V ... 28V	36V ... 56V
Power consumption	12W / 11W	12W / 11W	2,4W	2,4W	2,6W

Airflow data:



Mechanical data:



Supplementary data:	AC	DC
Climatic data		
Operating temperature	-10 °C (+ 14 °F) to +60 °C (+ 140 °F)	-20 °C (- 4 °F) to +60 °C (+ 140 °F)
Storage temperature	-20 °C (- 4 °F) to +70 °C (+ 158 °F)	
Max. relative humidity	90%	
System of protection	IP 43 (EN 60 529), when installed as specified, not for outdoor-application	
Basic parts kit	standard filter, mounting- and user manual	
Accessories	radiant heater, fan heater, thermostat, see Thermal Management	
Approvals	Germanischer Lloyd (GL), UL approval see overview filter fans	
* Tolerance installation cutout	92 ⁺¹ ₋₀	