

Twin Thermostats

FLZ 541 – FLZ 543



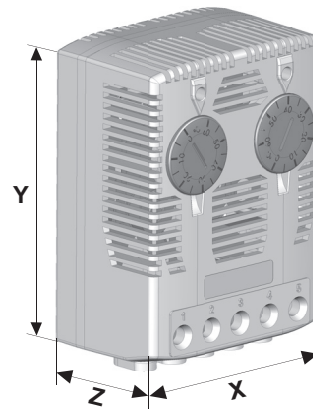
The FLZ series of twin thermostats integrates two independently switchable thermostats. They are available with N.C./N.O.¹, N.C./N.C. and N.O./N.O. contacts. Unlike thermostats with changeover contacts, connected devices can be switched in different temperature ranges.

Data		FLZ 541	FLZ 542	FLZ 543	Unit
Article number	0 °C (+32 °F) ... +60 °C (+140 °F)	17141000000	17142000000	17143000000	
Type of contact		N.C. / N.O. with spring contact	N.C. / N.C. with spring contact	N.O. / N.O. with spring contact	
Switching temperature difference		< 7			K
Switching point tolerance		± 4			
Max. switching power value in brackets: inductive load at cos φ = 0.6	N.C.	240 V AC / 10 (2)			A
	N.O.	120 V AC / 15 (2)			
	DC	max. 30			W
Operating temperature range		- 40 ... + 80 (- 40 ... + 176)			°C (°F)
Storage temperature range		- 40 ... + 80 (- 40 ... + 176)			
Probe type		bimetal			
System of protection		IP 20			
Weight		95			g
Type of connection		screw terminal for cable cross-section 0.5 to 2.5 mm ²			
Suitable for the operation of		fan and heater	heaters	fans	
Type of mounting		snap fastening for 35 mm profile bars according to EN 60715			
Colour		RAL 7035			
Accessories	Piece	Article number		Information on page	
Hygostat	1	17207000000		180	
Internal enclosure fan	1	18110000000		65	

¹ N.C. = normally closed / N.O. = normally open
Approvals see page 165

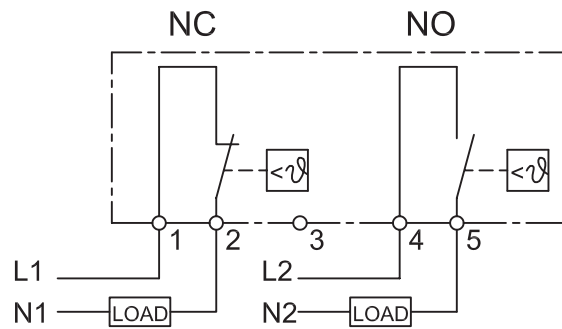
Dimensions

mm	FLZ 541	FLZ 542	FLZ 543
X		59	
Y		80.5	
Z		38	

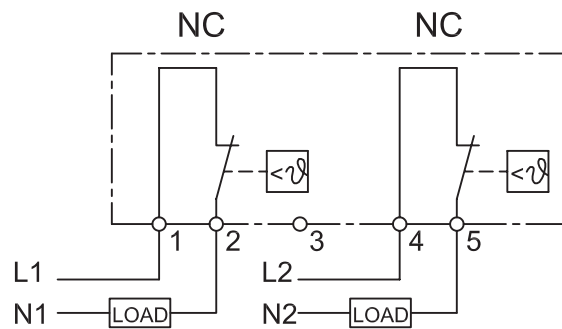


Schematics

FLZ 541



FLZ 542



FLZ 543

